



E-15

5/2 M5 valves - mechanical and manual actuation

- Compact design: 15 mm body
- Original Univer spool system appreciated for decades
- Wide range of actuators and manual operators for panels - original Univer



TECHNICAL CHARACTERISTICS

Ambient temperature	-10 ÷ +45 °C
Fluid temperature	-20 ÷ +50 °C
Fluid	not dehumidified filtered air 10 µm, lubricated or not
Commutation system	spool
Ways/Positions	5/2
Pressure	max 9 bar
Control	manual, mechanical
Return	mechanical spring
Nominal Ø	2 mm
Nominal flow rate	150 NI/min

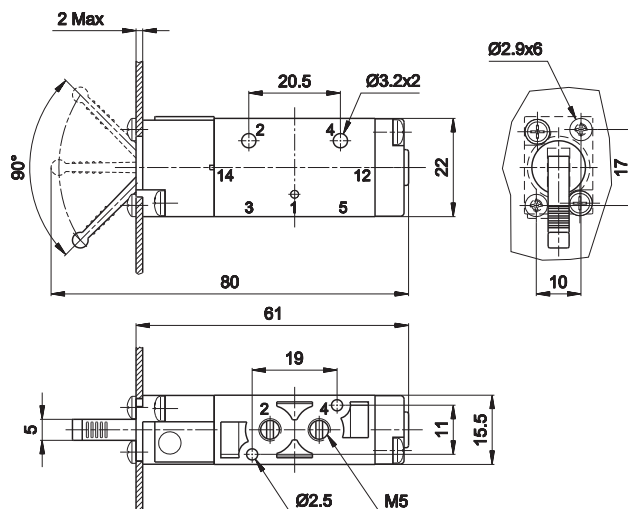
CONSTRUCTIVE CHARACTERISTICS

Valve body	zamak
Seals	nitrile rubber
Actuators	technopolymer
Spool	aluminium

E 5/2 M5 valves - mechanical and manual actuation



Lever valve



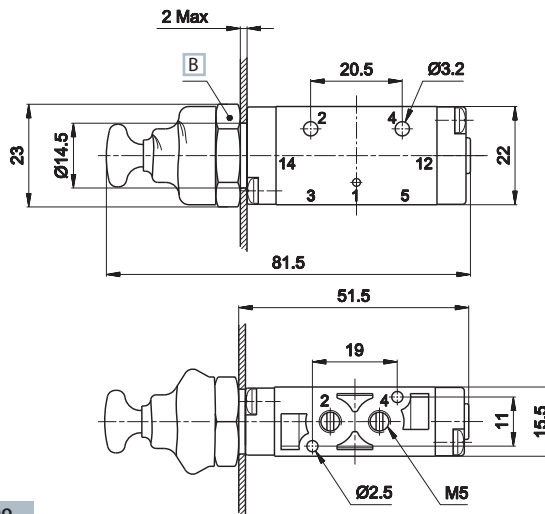
- 1 = Supply port
- 2 - 4 = Use
- 3 - 5 = Exhaust
- 14 = Control
- 12 = Return

Weight: 0,068

Symbol	Control	Return	Lever colour	Part no.
	lever	lever	yellow	E-15422G
			black	E-15422N
			red	E-15422R

5/2

Push-pull valve



B Wrench 20

- 1 = Supply port
- 2 - 4 = Use
- 3 - 5 = Exhaust
- 14 = Control
- 12 = Return

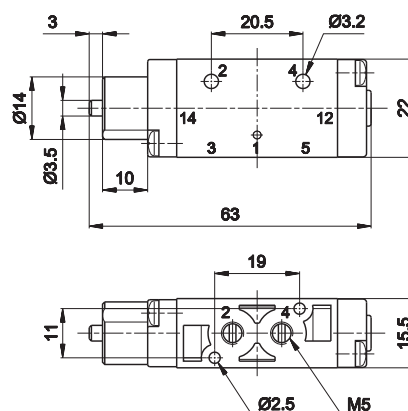
Weight: 0,082

Symbol	Control	Return	Lever colour	Part no.
	push-pull	push-pull	black	E-15420
	push-pull	mechanical spring	black	E-15420A

5/2

5/2

Tappet valve



- 1 = Supply port
- 2 - 4 = Use
- 3 - 5 = Exhaust
- 14 = Control
- 12 = Return

Weight: 0,066

Symbol	Control	Return	Part no.
	ball-push	mechanical spring	E-15402A

5/2

E 5/2 M5 valves - mechanical and manual actuation



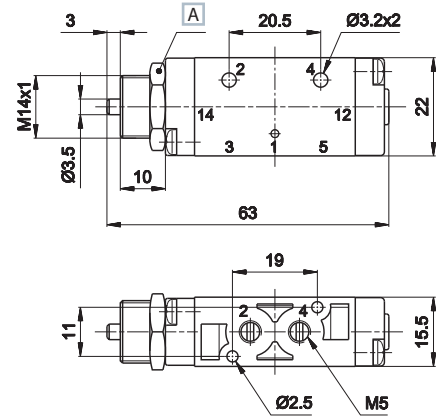
Ball-pushrod valve for mechanical screw operator



A Wrench 17

- 1 = Supply port
- 2 - 4 = Use
- 3 - 5 = Exhaust
- 14 = Control
- 12 = Return

Weight: 0,066



Symbol	Control	Return	Part no.	
5/2		ball-pushrod	mechanical spring	E-15403A

PNEUMATIC AND MECHANICAL ACTUATORS

	Pneumatic actuator	AI-3550	
	Amplified pneumatic actuator	AI-3551	
	Roller operator 1 position	AI-3560	
	Ball-push operator 1 position	AI-3562	
	Omni-directional operator	AI-3563	
	Roller lever operator 1 position	AI-3570	
	Articulated roller lever operator 1 position Complete actuation with stroke 2,5 mm max stroke 4,7 mm	AI-3571	
	Key operator 1 position	AI-3572	

MANUAL ACTUATORS

	Recessed button	<ul style="list-style-type: none"> ■ BLACK AI-3511 ■ RED AI-3512 ■ GREEN AI-3513 	
	Head button	<ul style="list-style-type: none"> ■ RED AI-3514 ■ BLACK AI-3516 ■ RED AI-3514D ■ BLACK AI-3516D 	
	Button	<ul style="list-style-type: none"> ■ GREEN AI-3515 ■ RED AI-3517 ■ BLACK AI-3519 	
	Rotating selector	<ul style="list-style-type: none"> ■ BLACK AI-3520 ■ BLACK AI-3521 	
	Rotating lever selector	<ul style="list-style-type: none"> ■ BLACK AI-3522 ■ BLACK AI-3523 	
	Lever	<ul style="list-style-type: none"> ■ BLACK AI-3524 	
	Omni-directional operator	<ul style="list-style-type: none"> ■ BLACK AI-3525 	
	Push-pull operator	<ul style="list-style-type: none"> ■ BLACK AI-3526 	

For technical features of coils and connector, see section "Accessories>Buttons"

E 5/2 M5 valves - mechanical and manual actuation

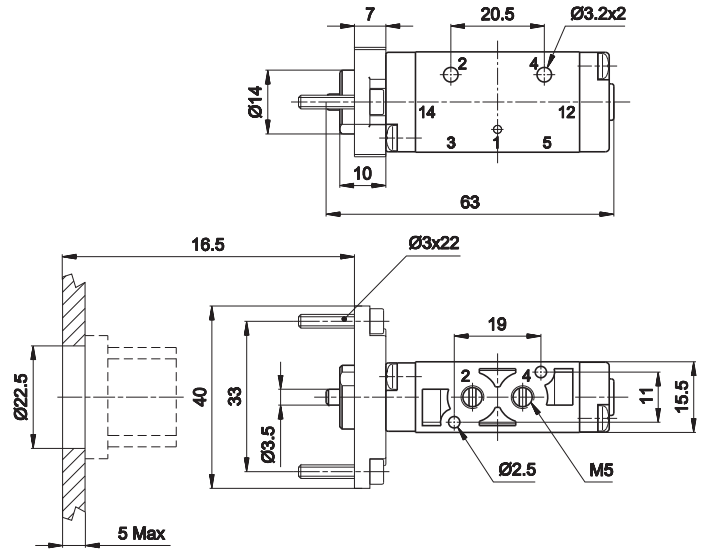


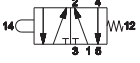
Valve for mechanical operator for panel mounting



- 1 = Supply port
- 2 - 4 = Use
- 3 - 5 = Exhaust
- 14 = Control
- 12 = Return

Weight: 0,082



Symbol	Control	Return	Part no.
5/2	 ball-push	mechanical spring	E-15412A

MANUAL ACTUATORS

	Recessed button	<ul style="list-style-type: none"> ■ BLACK AI-3511 ■ RED AI-3512 ■ GREEN AI-3513 	
	Head button	<ul style="list-style-type: none"> ■ RED AI-3514 ■ BLACK AI-3516 	
	Button	<ul style="list-style-type: none"> ■ RED AI-3514D ■ BLACK AI-3516D 	
	Rotating selector	<ul style="list-style-type: none"> ■ BLACK AI-3515 ■ RED AI-3517 ■ BLACK AI-3519 	
	Rotating lever selector	<ul style="list-style-type: none"> ■ BLACK AI-3520 ■ BLACK AI-3521 	
	Rotating lever selector	<ul style="list-style-type: none"> ■ BLACK AI-3522 ■ BLACK AI-3523 	
	Lever	<ul style="list-style-type: none"> ■ BLACK AI-3524 	
	Omni-directional operator	<ul style="list-style-type: none"> ■ BLACK AI-3525 	
	Push-pull operator	<ul style="list-style-type: none"> ■ BLACK AI-3526 	

For technical features of coils and connector, see section "Accessories>Buttons"